

FLOOD LIGHT

Lighting of workplace and control lines

Model range: FLA1-G

High light intensity with very low glare

Individualization of light flux

Fully compatible with EN 12464-1



Professional FLA1-G series luminaires meet the most demanding requirements for illuminating workplaces, machines and inspection lines with high emphasis on light quality and low glare and fully compatible with EN 12464-1.

The robust design ensures high durability and excellent heat dissipation. Safety is ensured by laminated glass with anti-shatter treatment and diffuser. The large surface area of the heat sink has a special application with high resistance to dirt adhesion. This significantly extends the maintenance period and reduces the operating costs.

The FLA1-G series luminaires have a constant luminous flux without a stroboscopic effect.



Consistent selection of its own MCOB chips (Microchip on Board) adheres to ANSI Binning standards to ensure the same color and luminous flux intensity of each individual product in the declared range parameters $\pm 2.5\%$.

The ability to revitalize active technology components reduces the TCO and extends the lifetime multiple times.

The FLA1-G series luminaires can be supplied with the required light flux spectrum to meet the technology requirements of production. The luminaire body can be in different color versions of the RAL sampler. The holder is adjustable with a fixed lock.



FLOOD LIGHT FLA1-G

General information

number of light source:	COB with patented heat dissipation
lifetime:	according to TM21: 72 000 hours
replaceable COB:	yes
cooling system	robust aluminium body with high resistance to dirt adhesion
replaceable driver:	yes
power driver:	from range HLG-xxxH-C
optical unit:	clear tempered and laminated glass with diffusor
ecology:	does not contain mercury or silicone
mounting:	safely adjustable handle with lock
housing material:	ADC 12 Die Cast Aluminium
housing finish:	AkzoNobel Interpon Powder Coating

Technical parameters

operation temperature range:	-30 °C to + 50 °C
light output range:	symmetric 60°
CCT:	3000 K, 4250 K, 5000 K or 6000 K in a range of chromaticity $\pm 2,5\%$
ingress protection:	IP65 with a durable PU seal
power supply:	90 V to 305 V~, 47 to 63 Hz, PFC >0,96
management:	(A) without management (B) 1-10 V / PWM (D) DALI
flicker index:	0
flicker frequency:	<1% / 100Hz in the whole range
MTBF:	207 900 hrs. - driver (A) MIL-HDBK-217F (25°C)
optional:	analog or digital control unit

Standards

- RoHS, IP65, , hazardous light complies with Directive EC and Council 2013/35/EC
- Resistance according to EN 60598-1-2-3 +A1, EN 62031 +A1
- EMC: Directive 2004/108/EC EN55015, EN61000, EN61547

- Does not emit light interference by ANSI C63.4 & 47

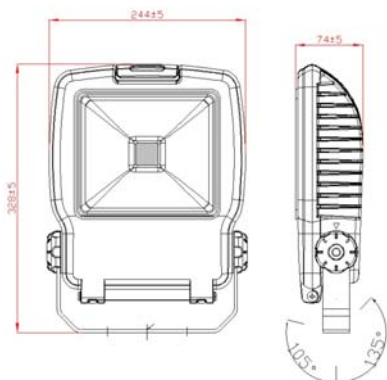
• IP65 SVHC RoHS

Model specifications

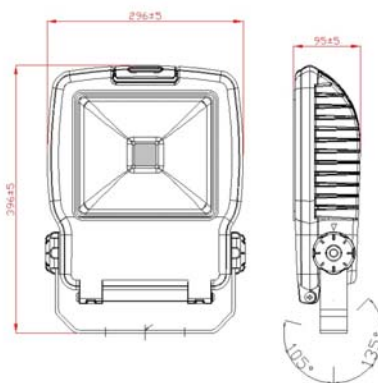
Models with CCT 4 000 K, R_a 80+

Model	Power	Voltage	Luminous flux	PFC	Dimensions (WxDxH)	Weight
FLA1-G-030T	31 W	90 V - 305 V	2 450 lm	>0,96	328 x 244 x 74 mm	3 kg
FLA1-G-060T	56 W	90 V - 305 V	4 200 lm	>0,96	396 x 269 x 95 mm	4,7 kg
FLA1-G-080T	73 W	90 V - 305 V	5 550 lm	>0,96	396 x 269 x 95 mm	5,1 kg

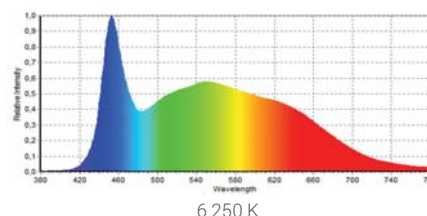
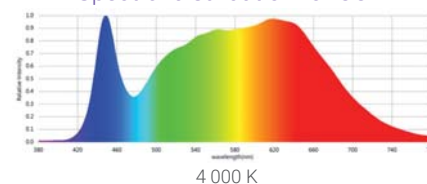
models FLA-G030



models FLA-G060 and FLA-G080



Spectral distribution for CCT:



examples of colors according to the sampler RAL

